



MODEL: AquaTechnix TX-PR-10D-SS-BF2

AQUATECHNIX



AquaTechnix Pre-Rinse Spray. DOME head operated TX-PR-10D base / SUPER SHORT height / BF2 bowl filler H: 675mm

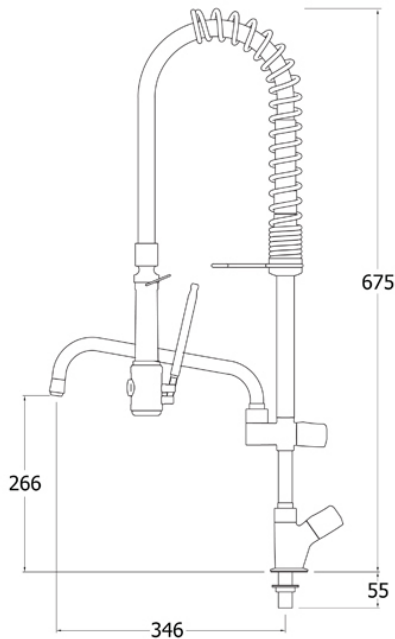
- Accreditation:** Kiwa KUKreg4 1+
- Base:** TX-PR-10D
- Bowl Filler:** 300mm bowl filler (BF2)
- Connection(s):** ½-inch
- Controls:** Dome
- Height:** Super Short
- Model Range:** TX-10
- Mount:** Deck mounted
- Pedestal:** Single
- Water Feed:** Single Monobloc

FEATURES & BENEFITS

- Ergonomic in design and functionality
- Modern, hygienic and practical design comes pre-assembled ready to install.
- All assembled models are factory tested up to 6 bar for quality assurance.
- Complete interchangeability between all bodies, spouts and pre-rinses means that product use can easily be changed on site at a later date.
- Includes PosiStop protected lever and dome heads for long life and reliability for all models and Brass Back Nuts
- Choice of height and bowl filler available
- Built in check valve for backflow protection
- Water saving options for spray gun and bowl filling spout included

TECHNICAL INFO

- Connection: ½-inch BSP male thread 55mm length
- Hole cut out requirement 25-28mm
- Height: 675mm
- Product weight: 3.41kg
- Recommended dynamic water pressure range: 1.5 - 5 bar. Max hot water temperature 60°C
- Product material: nickel plated brass, 304 stainless steel braided hose with EPDM lined inner hose
- Flow rates tested at 3 bar dynamic pressure: SPRAY GUN WATER-SAVING face plate: 4.11 l/m. SPRAY GUN STANDARD face plate: 10.33 l/m. BOWL FILLER WATER-SAVING diffuser: 3.82 l/m. BOWL FILLER STANDARD diffuser: 10.33 l/m.
- 2 year parts warranty
- Certified to KUK Reg4 1+ by Kiwa
- If this tap or combination tap is installed so that its base is no lower than the spillover level of the receiving vessel (for example, a sink or washbasin), a Type AUK3 air gap is achieved which permits installation of the tap in any premises where backflow protection up to Fluid Category 5 is required at the tap.



Dimensions are in millimeters. If a Cad file is required please visit www.mechline.com.



MECHLINE DEVELOPMENTS LIMITED

Tel: +44 (0)1908 261511 | Email: info@mechline.com | Web: www.mechline.com