



MODEL:

AquaTechnix TX-i-200-NOMX

AQUATECHNIX



AquaTechnix TX-i-200 Electronic Sensor Tap. Fixed spout H:200mm. Includes microvalve, battery pack, 4x standard AA batteries & PEX lined WRAS-approved water hose

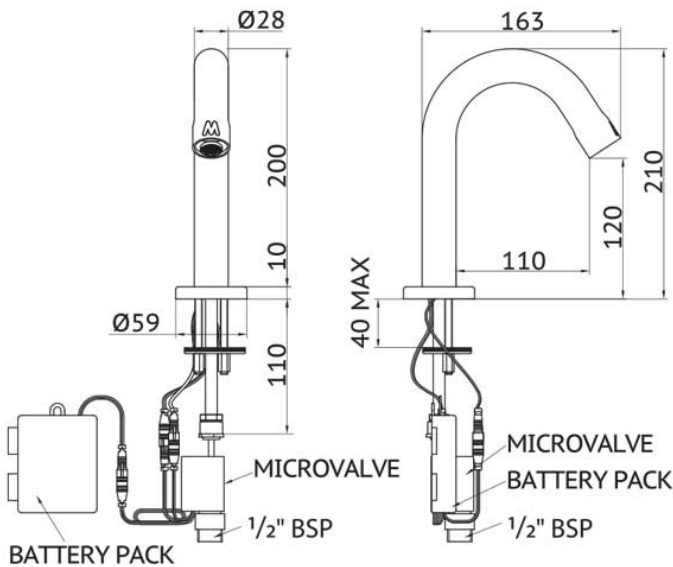
Controls: Battery operated
Mount: Deck mounted
Spout: Fixed Spout
Tap Type: TX-i

FEATURES & BENEFITS

- Easy-to-clean. The smooth and stylish design is easy to clean - there are no crevices where dirt can hide
- Auto-water flush. Pre-set independent anti-stagnation flush runs for 60 seconds every 24 hours after the last use. Prevents legionella colonies from forming
- Contactless Technology. Hands-free operation by motion sensor infrared light. Prevents cross contamination
- Huge Water Savings. Smart valve sensor reacts instantly to hand motion. Immediate water delivery and shut-off prevents wastage
- Time of Flight Sensor Technology. Infrared motion sensor will not respond to reflections or light, only to movement beneath its spout. No false triggers
- Long-life Battery. Designed to run on the same batteries for up to 5 years, or 365,000 cycles! 100% Recyclable
- Global Product - Meets Regulations. DZR and Lead-free with 4MS valve fittings to suit worldwide market
- Reliable and Robust. The spout is engineered from high-strength tubular 316L stainless steel to provide superior sturdiness and strength
- Stress-free Servicing. Built-in LED alerts users when batteries need to be replaced. Batteries are easy to access (beneath the basin), readily available (standard AA type), and recyclable
- Minimal Maintenance. No cartridge, as water flow is controlled by smart valve. Fewer replacement parts
- Easy to Install. Universal horseshoe clamp can be secured to any work surface up to 40mm thick
- IP67 Rated. Infra-red sensor is dust-tight and waterproof to protect from damage

TECHNICAL INFO

- Material: High-strength tubular 316L stainless steel
- Hose: M8 to 1/2" BSP braided stainless steel / PEX lined / WRAS
- Worktop hole: 32-42mm
- Flow rate range: Between 3.78 LPM (0.063 LPS) and 8 LPM (0.133 LPS) pressure dependent
- Recommended dynamic water pressure: 0.5-8 bar
- Integrated micro valve for sensor
- Voltage nominal: DC6.0 V
- Voltage range: DC4.5V to 7.5V
- Coil resistance: 25 ohms / 160mA
- Pulse: 20ms
- Operating temperature: 1 to 70°C
- Battery pack: 4x standard AA (supplied)
- Material Certification: ACS, WRAS, KTW / W270, NSF, WATERMARK, CE, RoHs, REACH, UKCA



Dimensions are in millimeters. If a Cad file is required please visit www.mechline.com.



MECHLINE DEVELOPMENTS LIMITED

Tel: +44 (0)1908 261511 | Email: info@mechline.com | Web: www.mechline.com