



MODEL:

AquaTechnix TX-B-3SG6L

AQUATECHNIX



AquaTechnix LEVER operated faucet TX-B-30 base with 150mm swivel gooseneck spout. H: 329mm

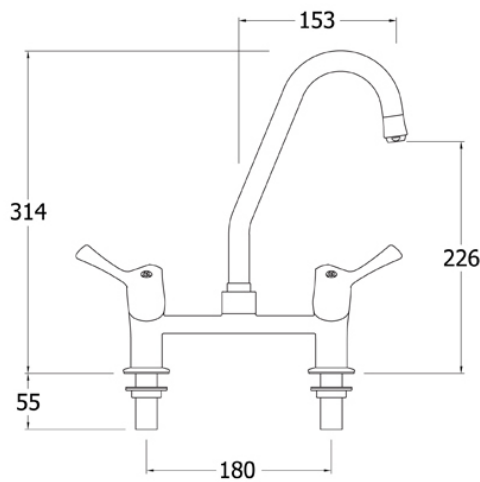
- Accreditation:** Kiwa KUKreg4 1+
- Tap Hole Centres:** 180mm
- Base:** TX-B-30
- Connection(s):** ½-inch
- Controls:** Lever
- Model Range:** TX-30
- Mount:** Deck mounted
- Pedestal:** Twin Hole
- Spout:** 150mm swivel gooseneck
- Tap Type:** Twin Mixer
- Water Feed:** Twin

FEATURES & BENEFITS

- Ergonomic in design and functionality.
- Modern, hygienic and practical design comes pre-assembled ready to install.
- All assembled models are factory tested up to 6 bar for quality assurance.
- Includes PosiStop protected lever and dome heads for long life and reliability for all models
- Water saving diffuser included as standard

TECHNICAL INFO

- Connection(s): ½-inch BSP male threads at 55mm length including non-return valves
- Height: 314mm
- Hole cut out requirement: 25-27mm at 180mm centres
- Product material: nickel plated brass
- Product weight: 1.53kg
- Recommended working pressure: 1.5 - 5 bar
- Flow rates: standard diffuser 9.33 lpm water saving diffuser 3.7 lpm tested at 3 bar pressure
- Certified to KUK Reg4 1+ by Kiwa
- Max recommended temperature 60°C



Dimensions are in millimeters. If a Cad file is required please visit www.mechline.com.



MECHLINE DEVELOPMENTS LIMITED

Tel: +44 (0)1908 261511 | Email: info@mechline.com | Web: www.mechline.com