



MODEL:

AquaTechnix TX-B-1SG6D

AQUATECHNIX



AquaTechnix DOME head operated faucet TX-B-10 base with 150mm swivel gooseneck spout. H: 329mm

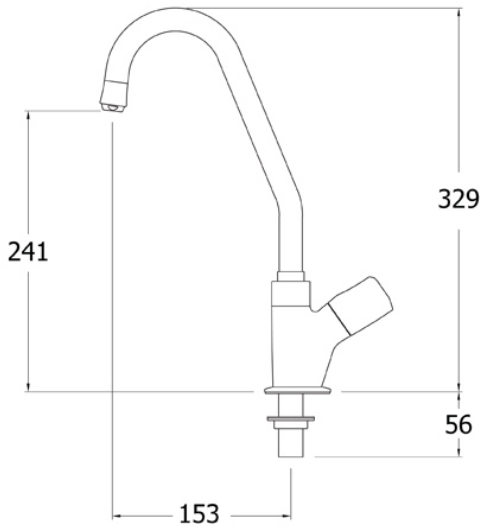
- Accreditation:** Kiwa KUKreg4 1+
- Base:** TX-B-10
- Connection(s):** ½-inch
- Controls:** Dome
- Model Range:** TX-10
- Mount:** Deck mounted
- Pedestal:** Single Hole
- Spout:** 150mm swivel gooseneck
- Tap Type:** Monobloc
- Water Feed:** Single Monobloc

FEATURES & BENEFITS

- Ergonomic in design and functionality.
- Modern, hygienic and practical design comes pre-assembled ready to install.
- All assembled models are factory tested up to 6 bar for quality assurance.
- Includes PosiStop protected lever and dome heads for long life and reliability for all models
- Water saving diffuser included as standard

TECHNICAL INFO

- Connection(s): ½-inch BSP male
- Height: 329mm
- Hole cut out requirement: 22-27mm
- Product material: nickel plated brass
- Product weight: 0.87kg
- Recommended working pressure: 1.5 - 5 bar
- Flow rates: standard diffuser 10.84 lpm water saving diffuser 4.11 lpm tested at 3 bar pressure
- Certified to KUK Reg4 1+ by Kiwa
- Max recommended temperature 60°C



Dimensions are in millimeters. If a Cad file is required please visit www.mechline.com.



MECHLINE DEVELOPMENTS LIMITED

Tel: +44 (0)1908 261511 | Email: info@mechline.com | Web: www.mechline.com