



MODEL:

AquaTechnix TX-B-116D

AQUATECHNIX

AquaTechnix DOME head faucet tap TX-B-10 base with 400mm swivel spout. H: 334mm

Accreditation: Kiwa KUKreg4 1+

Base: TX-B-10

Connection(s): ½-inch

Controls: Dome

Model Range: TX-10

Mount: Deck mounted

Pedestal: Single Hole

Spout: 400mm swivel

Tap Type: Monobloc

Water Feed: Single Monobloc

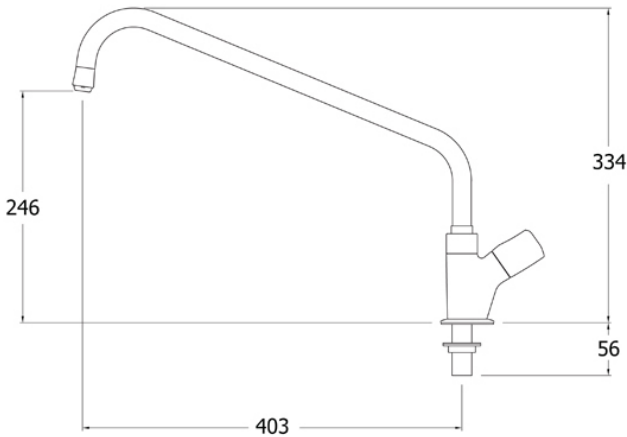


FEATURES & BENEFITS

- Ergonomic in design and functionality.
- Modern, hygienic and practical design comes pre-assembled ready to install.
- All assembled models are factory tested up to 6 bar for quality assurance.
- Complete interchangeability between all bodies, spouts and pre-rinses means that product use can easily be changed on site at a later date.
- Includes PosiStop protected lever and dome heads for long life and reliability for all models

TECHNICAL INFO

- Connection: ½-inch
- Height: 334mm
- Recommended static water pressure range: 1.5 - 5 bar
- Flow rates for all TX-B-10 models - tested at 3 bar pressure: Fitted with WATER-SAVING diffuser: 4.11 l/m (INCLUDED) Fitted with STANDARD diffuser: 10.84 l/m



Dimensions are in millimeters. If a Cad file is required please visit www.mechline.com.



MECHLINE DEVELOPMENTS LIMITED

Tel: +44 (0)1908 261511 | Email: info@mechline.com | Web: www.mechline.com