



MODEL:

AquaTechnix TX-500BL

# AQUATECHNIX



AquaTechnix ½-inch Basin Taps with 3-inch Lever (pair) H: 130mm

**Accreditation:** Kiwa KUKreg4 1+

**Connection(s):** ½-inch

**Controls:** Lever

**Model Range:** TX-500

**Mount:** Deck mounted

**Pedestal:** Single Hole

**Tap Type:** Basin

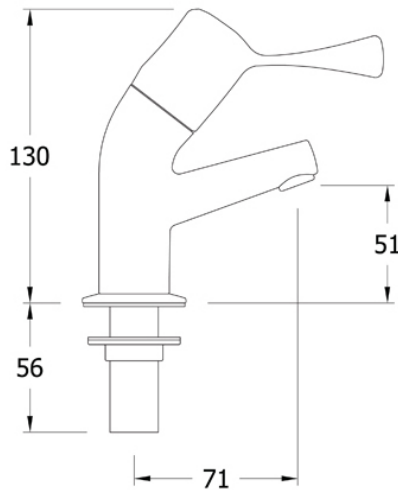
**Water Feed:** Single

### FEATURES & BENEFITS

- Ergonomic in design and functionality.
- Modern, hygienic and practical design comes pre-assembled ready to install.
- All assembled models are factory tested up to 6 bar for quality assurance.
- Includes PosiStop protected lever and dome heads for long life and reliability for all models
- Water saving diffuser included as standard

### TECHNICAL INFO

- Connection(s): ½-inch BSP male
- Height: 130mm
- Hole cut out requirement: 22-27mm
- Product material: nickel plated brass
- Product weight: 1.2kg
- Recommended working pressure: 1.5 - 5 bar
- Flow rates: 10.91 lpm with standard diffuser, 4.33 lpm with water saving diffuser fitted tested at 3 bar pressure
- Certified to KUK Reg4 1+ by Kiwa
- Max recommended temperature 60°C



Dimensions are in millimeters. If a Cad file is required please visit [www.mechline.com](http://www.mechline.com).



MECHLINE DEVELOPMENTS LIMITED

Tel: +44 (0)1908 261511 | Email: [info@mechline.com](mailto:info@mechline.com) | Web: [www.mechline.com](http://www.mechline.com)