



MODEL:

AquaTechnix TX-500BL

AQUATECHNIX



AquaTechnix 1/2-inch Basin Taps with 3-inch Lever (pair) H: 130mm

Accreditation: Kiwa KUKreg4 1+

Connection(s): 1/2-inch

Controls: Lever

Model Range: TX-500

Mount: Deck mounted

Pedestal: Single Hole

Tap Type: Basin

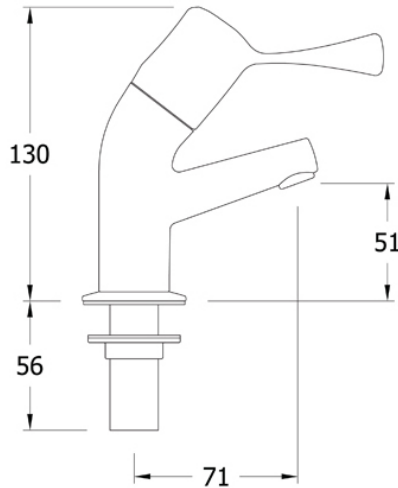
Water Feed: Single

FEATURES & BENEFITS

- Ergonomic in design and functionality.
- Modern, hygienic and practical design comes pre-assembled ready to install.
- All assembled models are factory tested up to 6 bar for quality assurance.
- Includes PosiStop protected lever and dome heads for long life and reliability for all models
- Water saving diffuser included as standard

TECHNICAL INFO

- Connection(s): 1/2-inch BSP male
- Height: 130mm
- Hole cut out requirement: 22-27mm
- Product material: nickel plated brass
- Product weight: 1.2kg
- Recommended working pressure: 1.5 - 5 bar
- Flow rates: 10.91 lpm with standard diffuser, 4.33 lpm with water saving diffuser fitted tested at 3 bar pressure
- Certified to KUK Reg4 1+ by Kiwa
- Max recommended temperature 60°C



Dimensions are in millimeters. If a Cad file is required please visit www.mechline.com.



MECHLINE DEVELOPMENTS LIMITED

Tel: +44 (0)1908 261511 | Email: info@mechline.com | Web: www.mechline.com