

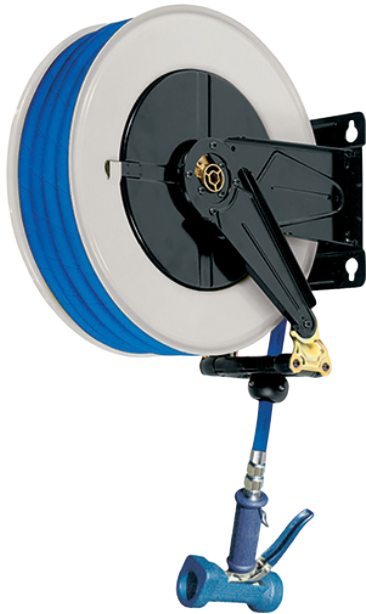


MODEL:

AquaJet MRK15/HDG

AQUAJET

Wash Down Hose Reel with Heavy-Duty Adjustable Head Gun

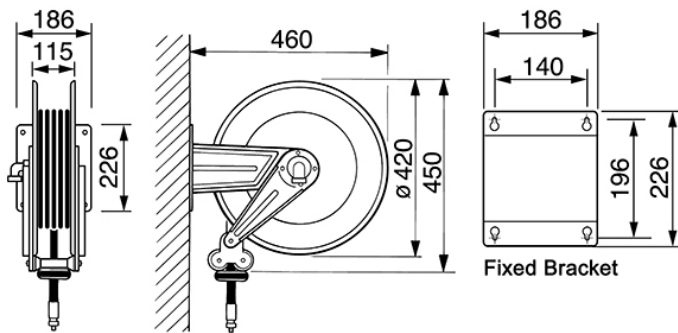


FEATURES & BENEFITS

- Spring loaded latch mechanisms allow complete positive hose retractions every time.
- Ground edge drive springs minimise fractures found in conventional slit edge springs.
- Full flow shaft and swivel ensure no water pressure drop or restriction of flow.
- De-clutching arbour eliminates the possibility of spring damage due to reverse winding of the reel spool.
- Hose changes are made easier on open reels as the reel does not need to be pre-tensioned.
- Metal reels are either steel powder coated or stainless steel (304) for maximum working life.
- A variety of mounting options available.
- Material: Standard powder coated steel.
- NB: Installation must comply with local water authority codes. Isolation controls and check valves not included.
- NB: Minimum 3-bar pressure is recommended to provide reasonable washing performance.

TECHNICAL INFO

- Water Pressure: 3 - 20 bar (300psi).
- Hose length: 15m (50ft).
- Hose dia: 12mm (½-inch).
- Inlet: ½-inch BSP, female connection.



Dimensions are in millimeters. If a Cad file is required please visit www.mechline.com.



MECHLINE DEVELOPMENTS LIMITED

Tel: +44 (0)1908 261511 | Email: info@mechline.com | Web: www.mechline.com