



MODEL:

**AquaJet AJPR40-ST-BF2-F**

# AQUAJET



AquaJet Pre-Rinse Spray. AJPR40 base / STANDARD style / BF2 bowl filler / FAN BLADE gun

**Tap Hole Centres:** 195-210mm adjustable

**Base:** AJPR40

**Bowl Filler:** 300mm bowl filler (BF2)

**Connection(s):** 2x (F) 1/2-inch

**Controls:** Lever

**Model Range:** AquaJet 40

**Mount:** Panel mounted

**Pedestal:** Twin

**Spray Gun:** Fan Blade

**Style:** Standard

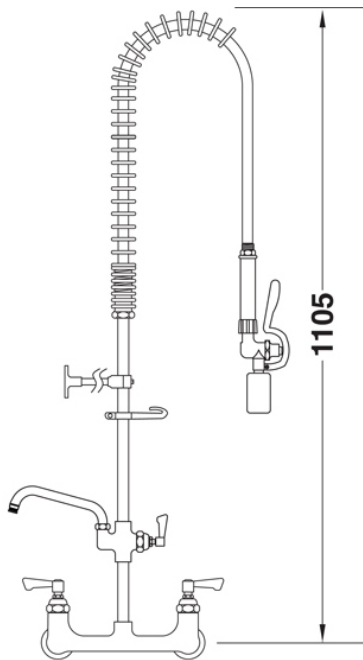
**Water Feed:** Twin

### FEATURES & BENEFITS

- A variety of choices to suit each application.
- Pre-assembled, ready to install - saves time on site.
- All assembled models are factory tested up to 6 bar for quality assurance.
- Choice of optional bowl fillers, water dispensing guns and accessories.
- Restraining device available to prevent hose from overstretching into basin, which reduces abuse and helps meet Water Board regulations.
- Super strong, food-grade, high-flow water hose.

### TECHNICAL INFO

- Connections: 2x (F) 1/2-inch
- Tap hole req: 2x 25mm
- Flow rates: 4.01 lpm tested at 3 at pressure



2x (F) 1/2-inch connections  
Tap hole req.: 2x 25mm dia.

Dimensions are in millimeters. If a Cad file is required please visit [www.mechline.com](http://www.mechline.com).



MECHLINE DEVELOPMENTS LIMITED

Tel: +44 (0)1908 261511 | Email: [info@mechline.com](mailto:info@mechline.com) | Web: [www.mechline.com](http://www.mechline.com)