



MODEL:

AquaJet AJPR30-SH-BF2-F

AQUAJET



AquaJet Pre-Rinse Spray. AJPR30 base / SHORT style/ BF2 bowl filler / FAN BLADE gun

Tap Hole Centres: 170-230mm adjustable

Base: AJPR30

Bowl Filler: 300mm bowl filler (BF2)

Connection(s): 2x (M) 1/2-inch

Controls: Lever

Model Range: AquaJet 30

Mount: Deck mounted

Pedestal: Twin

Spray Gun: Fan Blade

Style: Short

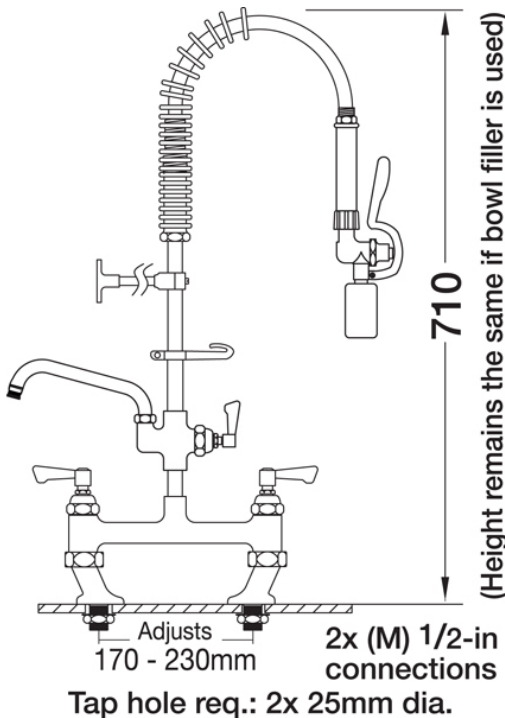
Water Feed: Twin

FEATURES & BENEFITS

- A variety of choices to suit each application.
- Pre-assembled, ready to install - saves time on site.
- All assembled models are factory tested up to 6 bar for quality assurance.
- Choice of optional bowl fillers, water dispensing guns and accessories.
- Restraining device available to prevent hose from overstretching into basin, which reduces abuse and helps meet Water Board regulations.
- Super strong, food-grade, high-flow water hose.

TECHNICAL INFO

- Connection: 1/2-inch BSP male threads on adjustable inlets
- 2x 25-28mm hole cut out requirement with hole centres between 170-230mm
- Height: 710mm
- Product weight 5.05kg
- Recommended dynamic water pressure range: 1.5 - 5 bar. Max hot water temperature 60°C
- Product material: nickel plated brass, 304 stainless steel braided hose with EPDM lined inner hose
- Flow rates tested at 3 bar dynamic pressure: 4 l/m Bowl filler 6.04 l/m
- 1 year parts warranty
- If this tap or combination tap is installed so that its base is no lower than the spillover level of the receiving vessel (for example, a sink or washbasin), a Type AUK3 air gap is achieved which permits installation of the tap in any premises where backflow protection up to Fluid Category 5 is required at the tap.



Dimensions are in millimeters. If a Cad file is required please visit www.mechline.com.



MECHLINE DEVELOPMENTS LIMITED

Tel: +44 (0)1908 261511 | Email: info@mechline.com | Web: www.mechline.com