



MODEL:

AquaJet AJPR15-ST-BF1-S

# AQUAJET



AquaJet Pre-Rinse Spray. AJPR15 base / STANDARD style / BF1 bowl filler / STANDARD gun

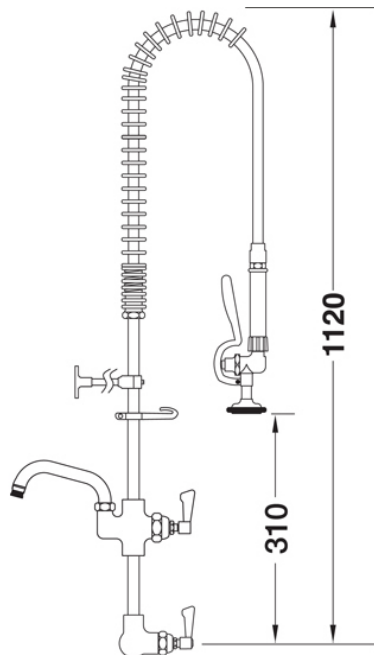
- Base:** AJPR15
- Bowl Filler:** 150mm bowl filler (BF1)
- Connection(s):** (F) 1/2-inch
- Controls:** Lever
- Model Range:** AquaJet 15
- Mount:** Panel mounted
- Pedestal:** Single
- Spray Gun:** Standard
- Style:** Standard
- Water Feed:** Single Monobloc

### FEATURES & BENEFITS

- A variety of choices to suit each application.
- Pre-assembled, ready to install - saves time on site.
- All assembled models are factory tested up to 6 bar for quality assurance.
- Choice of optional bowl fillers, water dispensing guns and accessories.
- Restraining device available to prevent hose from overstretching into basin, which reduces abuse and helps meet Water Board regulations.
- Super strong, food-grade, high-flow water hose.

### TECHNICAL INFO

- Connection: 1/2-inch BSP female thread for wall or panel mounting
- Hole cut out requirement 25mm
- Height: 1120mm
- Product weight: 4.04kg
- Recommended dynamic water pressure range: 1.5 - 5 bar. Max hot water temperature 60°C
- Product material: nickel plated brass, 304 stainless steel braided hose with EPDM lined inner hose
- Flow rates tested at 3 bar dynamic pressure: 7.79 l/m Bowl Filler: 5.8 l/m
- 1 year parts warranty
- If this tap or combination tap is installed so that its base is no lower than the spillover level of the receiving vessel (for example, a sink or washbasin), a Type AUK3 air gap is achieved which permits installation of the tap in any premises where backflow protection up to Fluid Category 5 is required at the tap.



(F) 1/2-inch connection  
Tap hole req.: 25mm dia.

Dimensions are in millimeters. If a Cad file is required please visit [www.mechline.com](http://www.mechline.com).



MECHLINE DEVELOPMENTS LIMITED

Tel: +44 (0)1908 261511 | Email: [info@mechline.com](mailto:info@mechline.com) | Web: [www.mechline.com](http://www.mechline.com)