



MODEL:

AquaJet AJPR10-SH-BF0-S

AQUAJET

AquaJet Pre-Rinse Spray. AJPR10 base / SHORT style/ No bowl filler / STANDARD gun

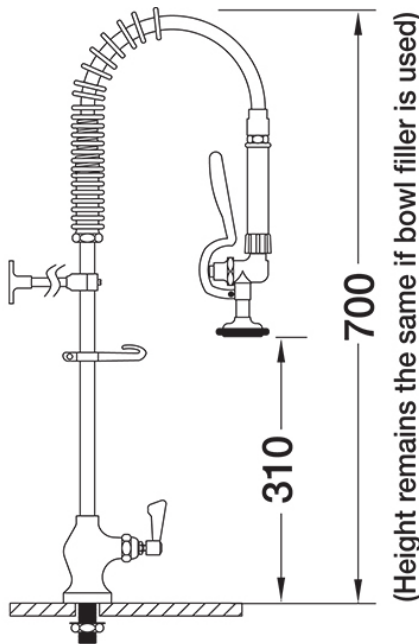
- Accreditation:** Kiwa KUKreg4 1+
- Base:** AJPR10
- Bowl Filler:** No bowl filler (BF0)
- Connection(s):** (M) 1/2-inch
- Controls:** Lever
- Model Range:** AquaJet 10
- Mount:** Deck mounted
- Pedestal:** Single
- Spray Gun:** Standard
- Style:** Short
- Water Feed:** Single Monobloc

FEATURES & BENEFITS

- A variety of choices to suit each application.
- Pre-assembled, ready to install - saves time on site.
- All assembled models are factory tested up to 6 bar for quality assurance.
- Choice of optional bowl fillers, water dispensing guns and accessories.
- Restraining device available to prevent hose from overstretching into basin, which reduces abuse and helps meet Water Board regulations.
- Super strong, food-grade, high-flow water hose.

TECHNICAL INFO

- Connection: 1/2-inch BSP male thread 50mm length
- Height: 700mm
- Product weight: 3.13kg
- Recommended dynamic water pressure range: 1.5 - 5 bar. Max hot water temperature 60°C
- Product material: nickel plated brass, 304 stainless steel braided hose with EPDM lined inner hose
- Flow rates tested at 3 bar dynamic pressure: 7.75 U/m
- 1 year parts warranty
- Certified to KUK Reg4 1+ by Kiwa
- If this tap or combination tap is installed so that its base is no lower than the spillover level of the receiving vessel (for example, a sink or washbasin), a Type AUK3 air gap is achieved which permits installation of the tap in any premises where backflow protection up to Fluid Category 5 is required at the tap.



(M) 1/2-inch connection
Tap hole req.: 25mm dia.

Dimensions are in millimeters. If a Cad file is required please visit www.mechline.com.



MECHLINE DEVELOPMENTS LIMITED

Tel: +44 (0)1908 261511 | Email: info@mechline.com | Web: www.mechline.com