



MODEL:

AquaJet AJ-W-4SG6L

AQUAJET

AquaJet Twin Mixer Tap with Lever control and 150mm Swivel Gooseneck Spout

Accreditation: WRAS

Tap Hole Centres: 195-210mm adjustable

Base: AJ-W-40

Connection(s): 1/2-inch

Controls: Lever

Model Range: AquaJet 40

Mount: Panel mounted

Pedestal: Twin Hole

Spout: 150mm swivel gooseneck

Tap Type: Twin Mixer

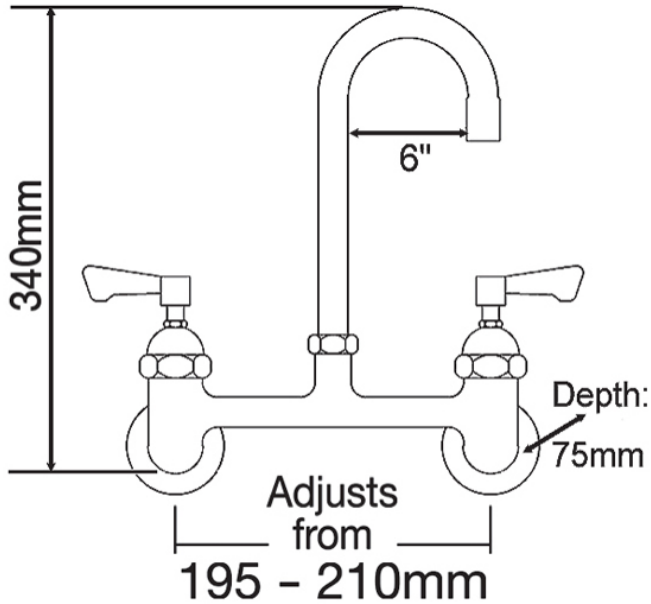
Water Feed: Twin

FEATURES & BENEFITS

- Comprehensive range of taps manufactured to meet the rigours of commercial catering.
- High quality, robust construction specifically designed for commercial kitchens.
- Easy lever operation.
- Selection of spouts to suit most applications.
- Spare parts available.
- WRAS approved.

TECHNICAL INFO

- Connection(s): 1/2-inch
- Panel hole: 25mm
- Recommended working pressure: 1.5 - 5 bar
- Flow rates: 6.10 lpm tested at 3 bar pressure.



Dimensions are in millimeters. If a Cad file is required please visit www.mechline.com.



MECHLINE DEVELOPMENTS LIMITED

Tel: +44 (0)1908 261511 | Email: info@mechline.com | Web: www.mechline.com