



MODEL:

AquaJet AJ-W-15SG6L

# AQUAJET

AquaJet Tap with Lever control and 150mm Swivel Gooseneck Spout

**Accreditation:** WRAS

**Base:** AJ-W-15

**Connection(s):** ½-inch

**Controls:** Lever

**Model Range:** AquaJet 15

**Mount:** Panel mounted

**Pedestal:** Single Hole

**Spout:** 150mm swivel gooseneck

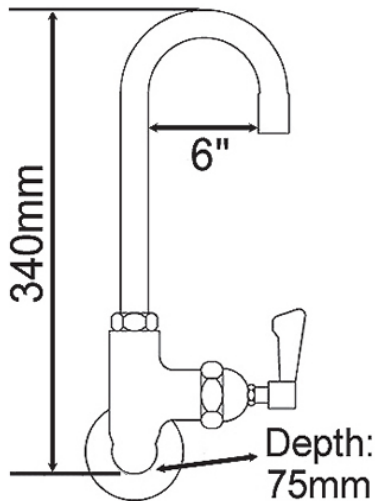
**Water Feed:** Single

### FEATURES & BENEFITS

- Comprehensive range of taps manufactured to meet the rigours of commercial catering.
- High quality, robust construction specifically designed for commercial kitchens.
- Easy lever operation.
- Selection of spouts to suit most applications.
- Spare parts available

### TECHNICAL INFO

- Connection(s): ½-inch
- Panel hole: 25mm
- Recommended working pressure: 1.5 - 5 bar
- Flow rate: 5.40 lpm tested at 3 bar pressure.



Dimensions are in millimeters. If a Cad file is required please visit [www.mechline.com](http://www.mechline.com).



MECHLINE DEVELOPMENTS LIMITED

Tel: +44 (0)1908 261511 | Email: [info@mechline.com](mailto:info@mechline.com) | Web: [www.mechline.com](http://www.mechline.com)