



MODEL:

AquaJet AJ-B-2SG6L

# AQUAJET



AquaJet Mixer Tap with Lever control and 150mm Swivel Gooseneck Spout

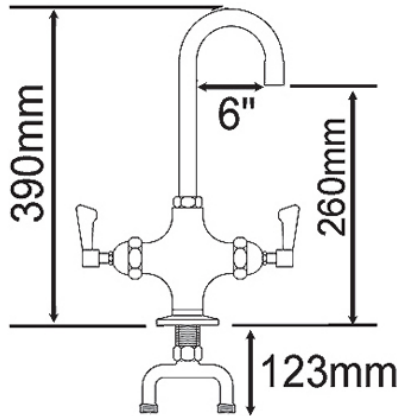
**Accreditation:** Kiwa KUKreg4 1+  
**Base:** AJ-B-20  
**Connection(s):** ½-inch  
**Controls:** Lever  
**Model Range:** AquaJet 20  
**Mount:** Deck mounted  
**Pedestal:** Single Hole  
**Spout:** 150mm swivel gooseneck  
**Tap Type:** Monobloc Mixer  
**Water Feed:** Twin

### FEATURES & BENEFITS

- Comprehensive range of taps manufactured to meet the rigours of commercial catering.
- High quality, robust construction specifically designed for commercial kitchens.
- Easy lever operation.
- Selection of spouts to suit most applications.
- Spare parts available.

### TECHNICAL INFO

- Connection(s): ½-inch BSP male
- Height: 390mm
- Hole cut out requirement: 30-38mm
- Built-in non return valve
- Product material: nickel plated brass
- Product weight: 2.01kg
- Recommended working pressure: 1.5 - 5 bar
- Flow rates: 5.97 lpm tested at 3 bar pressure
- Certified to KUK Reg4 1+ by Kiwa
- Max recommended temperature 60°C



Dimensions are in millimeters. If a Cad file is required please visit [www.mechline.com](http://www.mechline.com).



MECHLINE DEVELOPMENTS LIMITED

Tel: +44 (0)1908 261511 | Email: [info@mechline.com](mailto:info@mechline.com) | Web: [www.mechline.com](http://www.mechline.com)