



MODEL:

AquaJet AJ-B-1SG6L

AQUAJET



AquaJet Sink Tap with Lever control and 150mm Swivel Gooseneck Spout

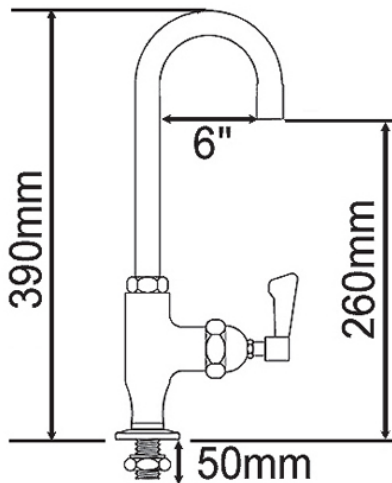
Accreditation: WRAS
Base: AJ-B-10
Connection(s): ½-inch
Controls: Lever
Model Range: AquaJet 10
Mount: Deck mounted
Pedestal: Single Hole
Spout: 150mm swivel gooseneck
Tap Type: Monobloc
Water Feed: Single Monobloc

FEATURES & BENEFITS

- Comprehensive range of taps manufactured to meet the rigours of commercial catering.
- High quality, robust construction specifically designed for commercial kitchens.
- Easy lever operation.
- Selection of spouts to suit most applications.
- Spare parts available.
- WRAS approved.

TECHNICAL INFO

- Connection(s): ½-inch
- Worktop hole: 25mm
- Recommended working pressure: 1.5 - 5 bar
- Flow rates: 5.38 lpm tested at 3 bar pressure.



Dimensions are in millimeters. If a Cad file is required please visit www.mechline.com.



MECHLINE DEVELOPMENTS LIMITED

Tel: +44 (0)1908 261511 | Email: info@mechline.com | Web: www.mechline.com