



MODEL:

AquaJet AJ-B-1SG6L

# AQUAJET



AquaJet Sink Tap with Lever control and 150mm Swivel Gooseneck Spout

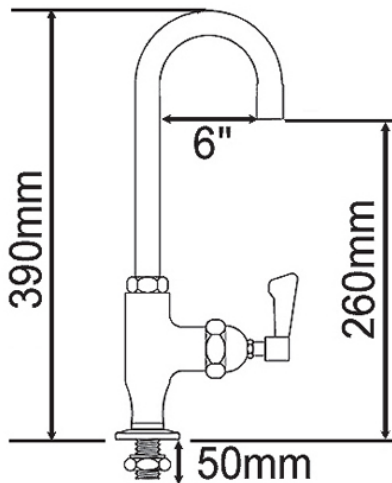
**Accreditation:** WRAS  
**Base:** AJ-B-10  
**Connection(s):** ½-inch  
**Controls:** Lever  
**Model Range:** AquaJet 10  
**Mount:** Deck mounted  
**Pedestal:** Single Hole  
**Spout:** 150mm swivel gooseneck  
**Tap Type:** Monobloc  
**Water Feed:** Single Monobloc

### FEATURES & BENEFITS

- Comprehensive range of taps manufactured to meet the rigours of commercial catering.
- High quality, robust construction specifically designed for commercial kitchens.
- Easy lever operation.
- Selection of spouts to suit most applications.
- Spare parts available.
- WRAS approved.

### TECHNICAL INFO

- Connection(s): ½-inch
- Worktop hole: 25mm
- Recommended working pressure: 1.5 - 5 bar
- Flow rates: 5.38 lpm tested at 3 bar pressure.



Dimensions are in millimeters. If a Cad file is required please visit [www.mechline.com](http://www.mechline.com).



MECHLINE DEVELOPMENTS LIMITED

Tel: +44 (0)1908 261511 | Email: [info@mechline.com](mailto:info@mechline.com) | Web: [www.mechline.com](http://www.mechline.com)