



MODEL:

DLB-378MCH



DELABIE

by MECHLINE

Delabie BINOPTIC mixer tap - MAINS supply model

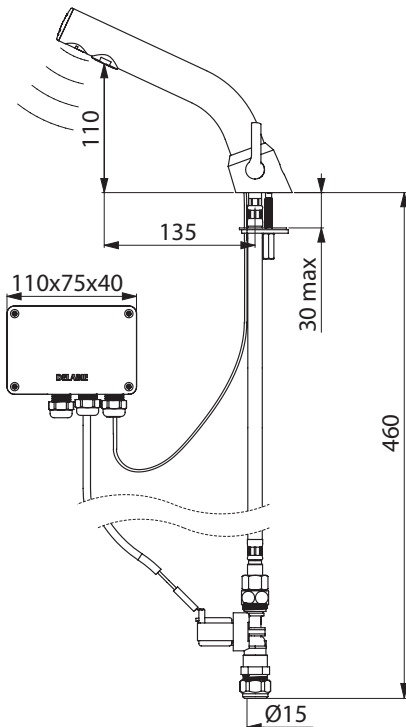
Brand: Delabie
Mount: Deck mounted
Controls: Battery operated
Tap Type: Binoptic Mixer
Accreditation: WRAS

FEATURES & BENEFITS

- WRAS approved.
- Independent IP65 electronic control unit.
- 230/12V mains supply with transformer.
- 15mm connector for compression fittings.
- Flow rate pre-set at 3 lpm at 3 bar, can be adjusted from 1.5 to 6 lpm.
- Scale resistant flow straightener.
- Adjustable duty flush (pre-set flush ~60 sec. every 24hr after last use).
- Active, infrared presence detection, sensor at the end of the spout optimises detection.
- Chrome-plated brass body.
- PEX flexible with filter and solenoid valve.
- Reinforced fixing.
- Anti-blocking safety.
- Spout with smooth interior and low volume of water (reduces bacterial niches).
- Side temperature control with adjustable maximum temperature limiter.

TECHNICAL INFO

- Connection(s): M3/8-inch.
- Drop height: 110mm.
- Spout length: 135mm.
- Flow rate: 3 lpm.
- Warranty: 10-year warranty.



MAINTENANCE & CLEANING

Cleaning chrome: Do not use abrasive, chlorine or acid-based cleaning products. Avoid contact with concentrated bleach. Clean with soapy water using a cloth or sponge.

Dimensions are in millimeters. If a CAD file is required please visit www.mechline.com.



MECHLINE DEVELOPMENTS LIMITED

Tel: +44 (0)1908 261511 | Email: info@mechline.com | Web: www.mechline.com