



MODEL:

**DLB-478-015**

# DELABIE

by **MECHLINE**

Deck mounted BINOPTIC sensor tap. BATTERY operated model.

**Brand:** Delabie.  
**Tap type:** Binoptic sensor tap.  
**Operation:** Battery operated.  
**Mount:** Deck mounted.

### FEATURES & BENEFITS

- Independent IP65 electronic control unit.
- 123 6V Lithium battery operated.
- 15mm connector for compression fittings.
- Flow rate pre-set at 3 lpm at 3 bar, can be adjusted from 1.5 to 6 lpm.
- Scale resistant flow straightener.
- Adjustable duty flush (pre-set flush ~60 sec. every 24hr after last use).
- Active, infrared presence detection, sensor at the end of the spout optimises detection.
- Chrome-plated brass body.
- PEX flexible with filter and solenoid valve.
- Reinforced fixing.
- Anti-blocking safety.
- Spout with smooth interior and low volume of water (reduces bacterial niches).

### TECHNICAL INFORMATION

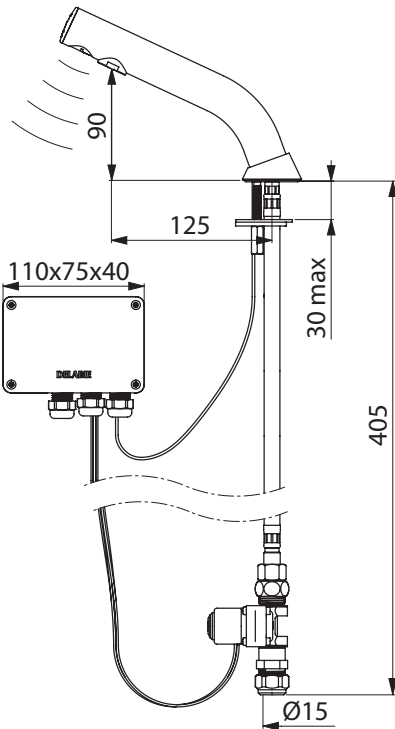
**Connection(s):** M3/8-inch.

**Drop height:** 90mm.

**Spout length:** 125mm.

**Flow rate:** 3 lpm.

**Warranty:** 10-year warranty.



### MAINTENANCE & CLEANING

**Cleaning chrome:** Do not use abrasive, chlorine or acid-based cleaning products. Avoid contact with concentrated bleach. Clean with soapy water using a cloth or sponge.

Dimensions are in millimeters. If a CAD file is required please visit [www.mechline.com](http://www.mechline.com).



**MECHLINE**

MECHLINE DEVELOPMENTS LIMITED

Tel: +44 (0)1908 261511 | Email: [info@mechline.com](mailto:info@mechline.com) | Web: [www.mechline.com](http://www.mechline.com)