



WATER



GAS



ENVIRONMENT



PEST CONTROL



### DLB-49200615

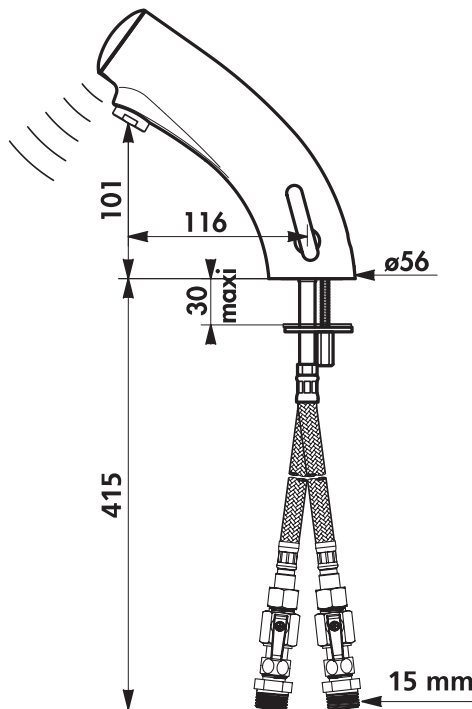
TEMPOMATIC MIX 3 DECK mounted battery-operated tap (mixer).  
M1/2" Ø 15mm connector.

with 6V Lithium battery, solenoid valve and electronic controls integrated in the body of the tap.  
Infra-red presence detection.

- WRAS approved.
- 90% water savings.
- Complete hygiene: no manual contact.
- Flow straightner set at 3 lpm at 3 bar, can be adjusted from 1.5 to 6 lpm.
- Scale-resistant flow restrainer.
- Active, infrared presence detection, sensor at the end of the spout optimises detection.
- Cap fixed in place by two concealed screws with pictogram to easily identify sensor.
- PEX flexibles with stopcocks, filters, non-return valves and Ø 15mm conical inlets.
- Chrome-plated brass body with reinforced fixings.
- Anti-blocking safety.
- Side temperature control with adjustable maximum temperature.
- Duty flush (for ~45 seconds 24 hours after the last use).
- Duty flush limits bacterial proliferation.

#### MAINTENANCE & CLEANING

**Cleaning chrome:** Do not use abrasive, chlorine or acid-based cleaning products. Avoid contact with concentrated bleach. Clean with soapy water using a cloth or sponge.



Dimensions are in millimeters. Note: If a CAD file is required please contact our Technical Helpdesk.

Rev: 12/2016 (DLB0001)