



MODEL: **DLB-44200615**



DELABIE

by **MECHLINE**

Deck mounted TEMPOMATIC 3 battery operated tap (non mixer).

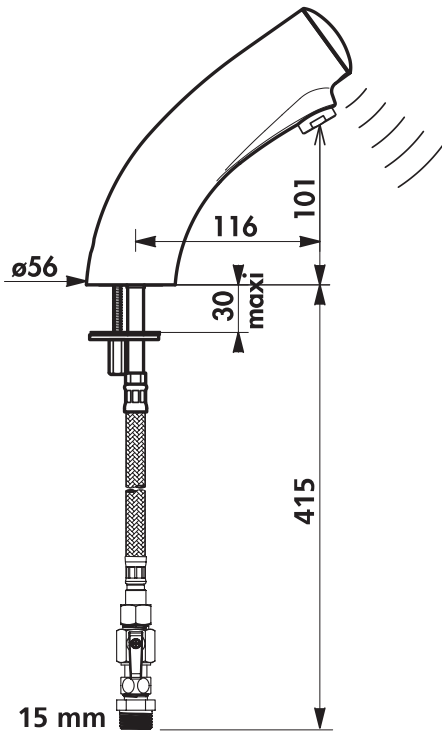
Brand: Delabie.
Tap type: Tempomatic 3.
Operation: Battery operated.
Mount: Deck mounted.
Accreditation: WRAS.

FEATURES & BENEFITS

- WRAS approved.
- Flow straightener set at 3 lpm at 3 bar. Flow rate can be adjusted if pressure < 3 bar.
- 6V Lithium battery, solenoid valves and electronic controls integrated in the body of the tap.
- Infra-red presence detection.
- PEX flexibles with integrated filters.
- Chrome-plated brass body with reinforced fixings.
- Anti-blocking safety & temp. limiter.
- Duty flush (for ~60 seconds 24 hours after last use).

TECHNICAL INFORMATION

Connection(s): M1/2-inch Ø 15mm.
Drop height: 100mm.
Spout length: 120mm.
Flow rate: 3 lpm.
Warranty: 10-year warranty.



MAINTENANCE & CLEANING

Cleaning chrome: Do not use abrasive, chlorine or acid-based cleaning products. Avoid contact with concentrated bleach. Clean with soapy water using a cloth or sponge.

Dimensions are in millimeters. If a CAD file is required please visit www.mechline.com.



MECHLINE DEVELOPMENTS LIMITED

Tel: +44 (0)1908 261511 | Email: info@mechline.com | Web: www.mechline.com