



MODEL:

TX-B-316L

AQUATECHNIX

manufactured by **MECHLINE**

AquaTechnix LEVER operated faucet TX-B-30 base with 400mm swivel spout. H: 334mm

Manufacturer: Mechline Developments

Brand: AquaTechnix

Model Range: TX-30

Base: TX-B-30

Pedestal: Twin Hole

Mount: Deck mounted

Water Feed: Twin

Controls: Lever

Tap Type: Twin Mixer

Spout: 400mm swivel

Accreditation: WRAS



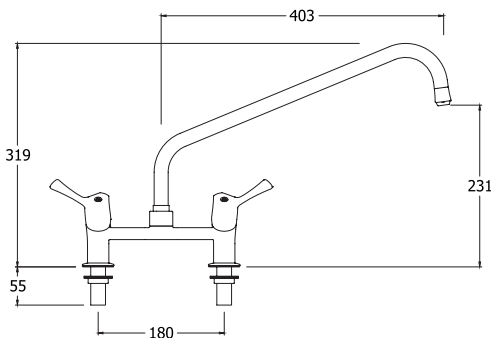
FEATURES & BENEFITS

- Ergonomic in design and functionality.
- PosiStop™ patented built-in stopping device which prevents the lever or handle from being turned or knocked too far and transferring stress to the tap valve.
- Modern, hygienic and practical design comes pre-assembled ready to install.
- All assembled models are factory tested up to 6 bar for quality assurance.
- Complete interchangeability between all bodies, spouts and pre-rinses means that product use can easily be changed on site at a later date.
- Heavy-duty construction incorporating high quality tested and proven components for commercial use.

NOTE: When ordering a LEVER operated 30 range model for dish washing stations you will need a minimum of 120mm clearance for the lever handles when in the 'OPEN' position. We recommend your order DOME models for this application.

TECHNICAL INFO

- Connections: 1/2-inch
- Tap hole Ø 25mm, 180mm centres (150mm centres available on request)
- Height: 334mm
- Recommended static water pressure range: 1.5 - 5 bar
- Flow rates for all TX-B-30 models - tested at 3 bar pressure:
Fitted with WATER-SAVING diffuser: 3.70 l/m (only available on request)
Fitted with STANDARD diffuser: 9.33 l/m



MAINTENANCE & CLEANING

Cleaning chrome: Do not use abrasive, chlorine or acid-based cleaning products. Avoid contact with concentrated bleach. Clean with soapy water using a cloth or sponge.

Dimensions are in millimeters. If a CAD file is required please visit www.mechline.com.



MECHLINE DEVELOPMENTS LIMITED

Tel: +44 (0)1908 261511 | Email: info@mechline.com | Web: www.mechline.com