



MODEL:

**TX-B-116L**

## AQUATECHNIX

manufactured by **MECHLINE**

AquaTechnix LEVER operated faucet TX-B-10 base with 400mm swivel spout. H: 334mm

**Manufacturer:** Mechline Developments

**Brand:** AquaTechnix

**Model Range:** TX-10

**Base:** TX-B-10

**Pedestal:** Single Hole

**Mount:** Deck mounted

**Water Feed:** Single Monobloc

**Controls:** Lever

**Tap Type:** Monobloc

**Spout:** 400mm swivel

**Accreditation:** WRAS

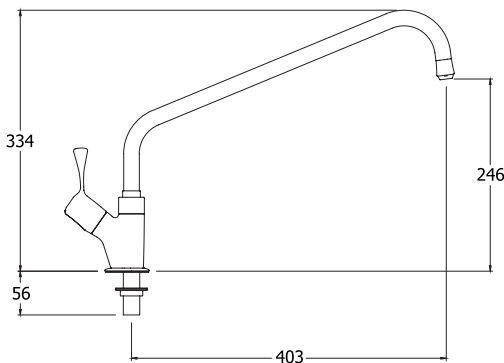


### FEATURES & BENEFITS

- Ergonomic in design and functionality.
- PosiStop™ patented built-in stopping device which prevents the lever or handle from being turned or knocked too far and transferring stress to the tap valve.
- Modern, hygienic and practical design comes pre-assembled ready to install.
- All assembled models are factory tested up to 6 bar for quality assurance.
- Complete interchangeability between all bodies, spouts and pre-rinses means that product use can easily be changed on site at a later date.
- Heavy-duty construction incorporating high quality tested and proven components for commercial use.

### TECHNICAL INFO

- Connection: 1/2-inch
- Tap hole Ø 25mm
- Height: 334mm
- Recommended static water pressure range: 1.5 - 5 bar
- Flow rates for all TX-B-10 models - tested at 3 bar pressure:  
Fitted with WATER-SAVING diffuser: 4.11 l/m (only available on request)  
Fitted with STANDARD diffuser: 10.84 l/m



### MAINTENANCE & CLEANING

**Cleaning chrome:** Do not use abrasive, chlorine or acid-based cleaning products. Avoid contact with concentrated bleach. Clean with soapy water using a cloth or sponge.

Dimensions are in millimeters. If a CAD file is required please visit [www.mechline.com](http://www.mechline.com).



MECHLINE DEVELOPMENTS LIMITED

Tel: +44 (0)1908 261511 | Email: [info@mechline.com](mailto:info@mechline.com) | Web: [www.mechline.com](http://www.mechline.com)