



MODEL:

**DLB-1306T1**



## DELABIE

by MECHLINE

Delabie Deck mounted Swivel Spout  $\varnothing$  22

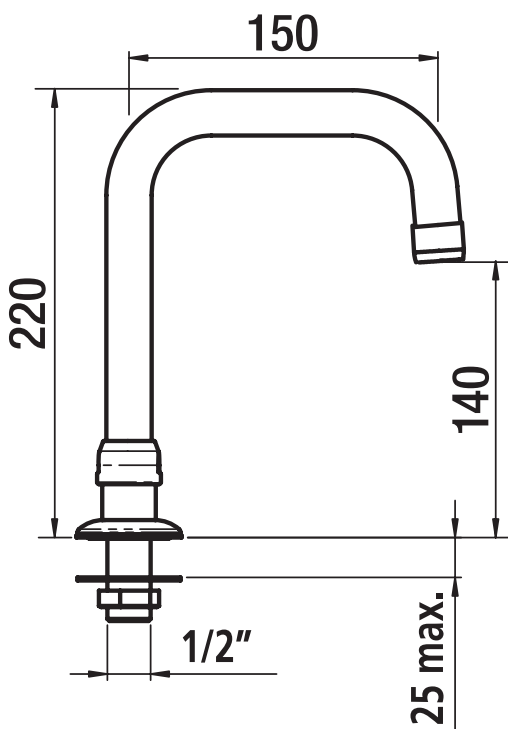
**Brand:** Delabie  
**Mount:** Deck mounted  
**Spout:** Swivel

### FEATURES & BENEFITS

- L 150, H 140, OA 220mm.
- M1/2-inch.
- Swivelling, tubular spout,  $\varnothing$  22mm, on a M1/2-inch base.
- Chrome-plated brass spout H. 140mm L. 150mm.
- Scale-resistant flow straightener regulated at 3 lpm at 3 bar.
- Smooth interior reduces bacterial development.
- Suitable for fitting a terminal filter.

### TECHNICAL INFO

- Connection(s): M1/2-inch.
- Height: 220mm.
- Drop height: 140mm.
- Spout length: 150mm.
- Flow rate: 3 lpm.
- Warranty: 10 years.



### MAINTENANCE & CLEANING

**Cleaning chrome:** Do not use abrasive, chlorine or acid-based cleaning products. Avoid contact with concentrated bleach. Clean with soapy water using a cloth or sponge.

Dimensions are in millimeters. If a CAD file is required please visit [www.mechline.com](http://www.mechline.com).



MECHLINE DEVELOPMENTS LIMITED

Tel: +44 (0)1908 261511 | Email: [info@mechline.com](mailto:info@mechline.com) | Web: [www.mechline.com](http://www.mechline.com)