

HAND WASH BASIN INSTALL INSTRUCTIONS

300, 400 and 400i SERIES

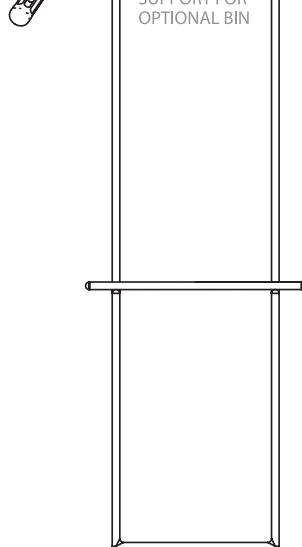
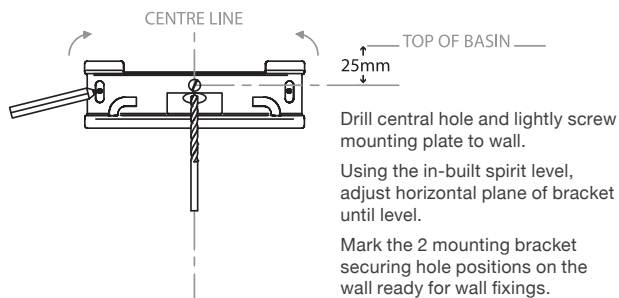
BASIX
manufactured by **MECHLINE**

Thank you for purchasing your BaSix product.

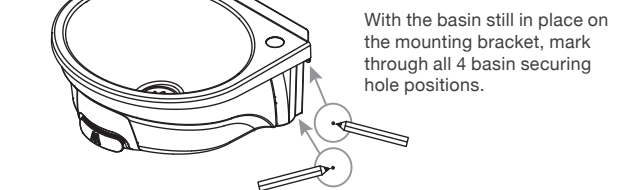
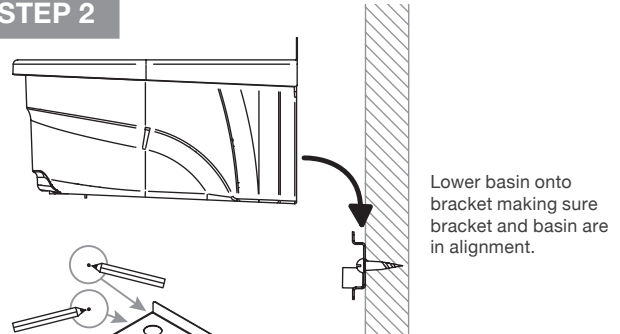
! Fit chosen furniture and waste assembly to the hand basin before following these instructions.

- Balanced water pressure supplies required. Pressure range 1.5-3 Bar.
- Mechline accept no responsibility for the water integrity of fittings.
- Joint seals to be made using PTFE tape ONLY.
NO JOINTING COMPOUNDS to be used under any circumstances.

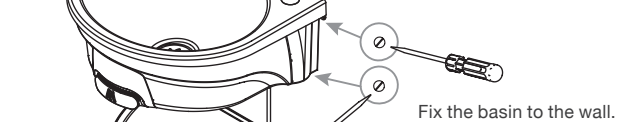
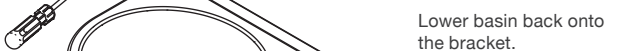
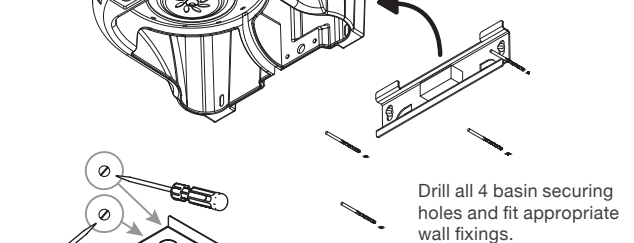
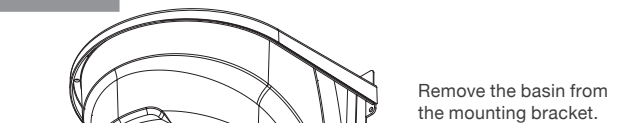
STEP 1



STEP 2



STEP 3



! **Secure basin at all 4 points**
Failure to use all four fixings may affect the performance of the basin, and cause the push bar to become more difficult to operate.

If an optional bin is supplied, hang the bin onto the support under the basin.



NOTE: Basin may run for an extended period when first installed. Leave water running until basin automatically resets. This may take a few minutes.