



MODEL: **BSX-400-T2-T**



# BASIX

**HAND WASH STATION - BaSix 400 Hand Wash Station.** Soft-touch operated, time flow tap. Includes Delabie Tempomatic 3 tap, Premix Nano DLB-732-115 thermostatic mixer, water hose & tap hole stopper

**Manufacturer:** Mechline Developments Limited.

**FEATURES & BENEFITS**

- WRAS approved across the whole range
- Curved design ideal for commercial kitchens
- No sharp corners for kitchen staff to knock into
- Easy to clean integral flush grated waste reduces the risk of bacterial development
- Bowl and deck are permanently bonded to the skirt removing the need for exposed bolts and rivets
- High strength injection moulded skirt removes the possibility of cut hazards created by sharp stainless steel edge
- Mounting bracket with integral spirit level for fast and easy installation
- Optional waste bins can be fitted to all models
- Stylish, functional design

**ACCREDITATIONS**

- WRAS

**MATERIALS**

Bowl and Deck: High grade polished 304 Austenitic stainless steel  
 Skirt: High grade, high strength injection moulded ABS-Polycarbonate for the skirt

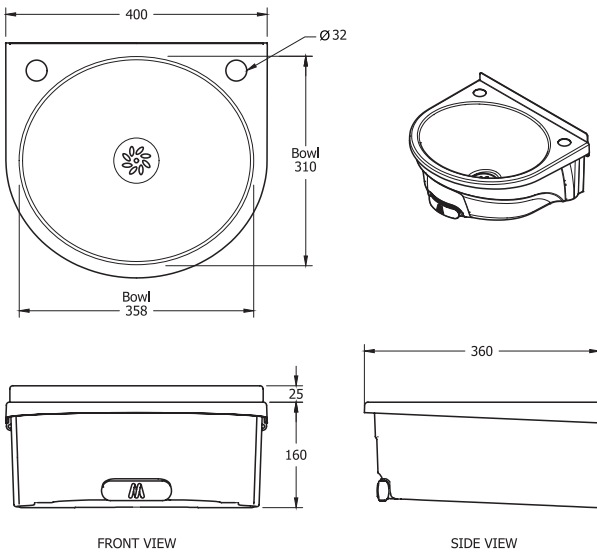
**TECHNICAL INFORMATION**

- Dimensions: O/D: 400 x 360 x 160mm Bowl: 358 x 310 x 130 deep
- Flow rate: Pre-set at 3 lpm at 3 bar, can be adjusted from 1.5 - 6 lpm. DLB-732-115 min flow rate 3 lpm.
- WRAS COMPONENT PARTS: Temposoft 74177 Push Valve - 1709054  
 DLB Nano Thermostatic Mixer - 1409058 Braided Hose - 1405138.

**WARRANTY**

One-year manufacturer's warranty from the date of invoice, against defective parts or faulty workmanship. Terms and conditions apply.

**TECHNICAL ASSISTANCE:** Call +44 (0)1908 261511 and ask for the Technical Helpdesk or e-mail [technical@mechline.com](mailto:technical@mechline.com)



**FURTHER OPTIONS**

Model	Description	
<b>BSX-SPD</b>	Optional Soap Dispenser	
<b>BSX-WASTE-BIN</b>	Optional Waste Bin High density polyethylene Hangs neatly under basin	

**MAINTENANCE & CLEANING**

**Cleaning chrome:** Do not use abrasive, chlorine or acid-based cleaning products. Avoid contact with concentrated bleach. Clean with soapy water using a cloth or sponge.

Note: If a CAD file is required please contact our Technical Helpdesk.

©2019 All rights reserved. All material on these pages, including and without limitation text, logos, icons, photographs and all other artwork, is copyright material of Mechline Developments Ltd, unless otherwise stated. Commercial use of this material may only be made with the express, prior, written permission of Mechline. This includes material provided by any third party, including material obtained through links to other sites from Mechline's pages or its affiliates and commercial associates. Material and information included are correct at time of print. Intending buyers and users must satisfy themselves as to the suitability and safety of the products for their particular purposes and duties. Dimensions shown in mm unless otherwise stated. Product accreditation may not apply to all products in the relevant range. Please contact Mechline to confirm. Unless otherwise stated, all products carry a warranty of twelve (12) months against manufacturing defect or workmanship on parts with no inclusion for labour or site attendance. Rev: 07/2019 (BSX0030-T2-T)