



MODEL: **BSX-400-TX-BL**

BASIX



HAND WASH STATION - BaSix 400 Hand Wash Station with a pair of AquaTechnix LEVER taps

Manufacturer: Mechline Developments Limited.

FEATURES & BENEFITS

- WRAS approved across the whole range
- Curved design ideal for commercial kitchens
- No sharp corners for kitchen staff to knock into
- Easy to clean integral flush grated waste reduces the risk of bacterial development
- Bowl and deck are permanently bonded to the skirt removing the need for exposed bolts and rivets
- High strength injection moulded skirt removes the possibility of cut hazards created by sharp stainless steel edge
- Mounting bracket with integral spirit level for fast and easy installation
- Optional waste bins can be fitted to all models
- Stylish, functional design

ACCREDITATIONS

- WRAS

MATERIALS

Bowl and Deck: High grade polished 304 Austenitic stainless steel

Skirt: High grade, high strength injection moulded ABS-Polycarbonate for the skirt

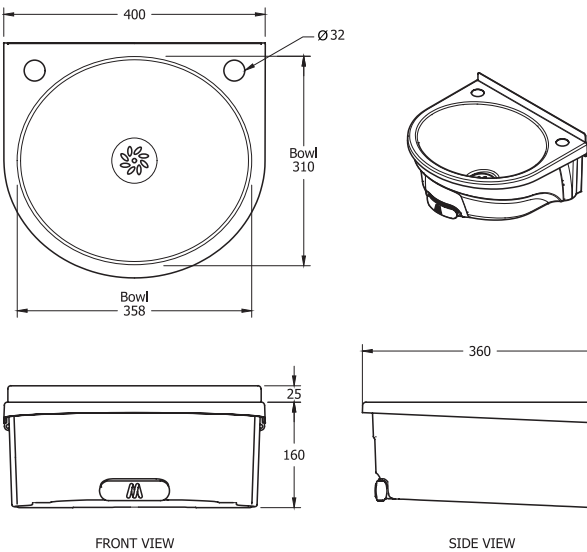
TECHNICAL INFORMATION

- Dimensions: O/D: 400 x 360 x 160mm Bowl: 358 x 310 x 130 deep
- Flow rate: 10.91 lpm at 3 bar pressure.
- Recommended static water pressure range: 1.5 - 5 bar.

WARRANTY

One-year manufacturer's warranty from the date of invoice, against defective parts or faulty workmanship. Terms and conditions apply.

TECHNICAL ASSISTANCE: Call +44 (0)1908 261511 and ask for the Technical Helpdesk or e-mail technical@mechline.com



FURTHER OPTIONS

| Model | Description |
|----------------------|---|
| BSX-SPD | Optional Soap Dispenser |
| BSX-WASTE-BIN | Optional Waste Bin High density polyethylene Hangs neatly under basin |

MAINTENANCE & CLEANING

Cleaning chrome: Do not use abrasive, chlorine or acid-based cleaning products. Avoid contact with concentrated bleach. Clean with soapy water using a cloth or sponge.

Note: If a CAD file is required please contact our Technical Helpdesk.

