



MODEL: **BSX-300-T2-T**



BASIX

HAND WASH STATION - BaSix 300 Hand Wash Station. Soft-touch operated, time flow tap. Includes Delabie Tempomatic 3 tap, Premix Nano DLB-732-115 thermostatic mixer, water hose & tap hole stopper

Manufacturer: Mechline Developments Limited.

FEATURES & BENEFITS

- WRAS approved across the whole range
- Curved design ideal for commercial kitchens
- No sharp corners for kitchen staff to knock into
- Easy to clean integral flush grated waste reduces the risk of bacterial development
- Bowl and deck are permanently bonded to the skirt removing the need for exposed bolts and rivets
- High strength injection moulded skirt removes the possibility of cut hazards created by sharp stainless steel edge
- Mounting bracket with integral spirit level for fast and easy installation
- Optional waste bins can be fitted to all models
- Stylish, functional design

ACCREDITATIONS

- WRAS

MATERIALS

Bowl and Deck: High grade polished 304 Austenitic stainless steel

Skirt: High grade, high strength injection moulded ABS-Polycarbonate for the skirt

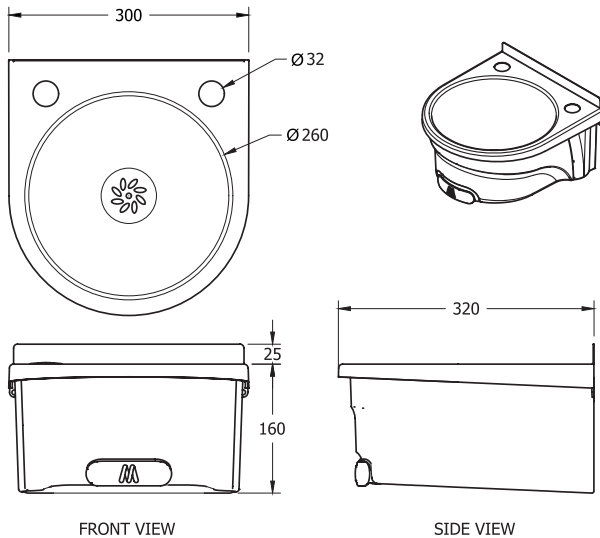
TECHNICAL INFORMATION

- Dimensions: O/D: 300 x 320 x 160mm Bowl: 260mm dia. X 130mm deep
- Flow rate: Pre-set at 3 lpm at 3 bar, can be adjusted from 1.5 - 6 lpm. DLB-732-115 min flow rate 3 lpm.
- WRAS COMPONENT PARTS: Temposoft 74177 Push Valve - 1709054
DLB Nano Thermostatic Mixer - 1409058 Braided Hose - 1405138.

WARRANTY

One-year manufacturer's warranty from the date of invoice, against defective parts or faulty workmanship. Terms and conditions apply.

TECHNICAL ASSISTANCE: Call +44 (0)1908 261511 and ask for the Technical Helpdesk or e-mail technical@mechline.com



FURTHER OPTIONS

Model	Description	
BSX300-SPL	Optional Splashback for 300 models only, High grade polished 304 Austenitic stainless steel 315(H) x 300(W)	
BSX-SPD	Optional Soap Dispenser	
BSX-WASTE-BIN	Optional Waste Bin High density polyethylene Hangs neatly under basin	

MAINTENANCE & CLEANING

Cleaning chrome: Do not use abrasive, chlorine or acid-based cleaning products. Avoid contact with concentrated bleach. Clean with soapy water using a cloth or sponge.

Note: If a CAD file is required please contact our Technical Helpdesk.

