



MODEL: **BSX-300-KVS**



# BASIX



**HAND WASH STATION** - BaSix 300 Hand Wash Station with 'Push-Front', Hands-Free mechanical operation. Includes fixed spout, M-MX91 manual mixer, water hose & tap hole stopper

**Manufacturer:** Mechline Developments Limited.

**FEATURES & BENEFITS**

- WRAS approved across the whole range
- Curved design ideal for commercial kitchens
- No sharp corners for kitchen staff to knock into
- Easy to clean integral flush grated waste reduces the risk of bacterial development
- Bowl and deck are permanently bonded to the skirt removing the need for exposed bolts and rivets
- High strength injection moulded skirt removes the possibility of cut hazards created by sharp stainless steel edge
- Mounting bracket with integral spirit level for fast and easy installation
- Optional waste bins can be fitted to all models
- Stylish, functional design

**ACCREDITATIONS**

- WRAS

**MATERIALS**

Bowl and Deck: High grade polished 304 Austenitic stainless steel  
Skirt: High grade, high strength injection moulded ABS-Polycarbonate for the skirt

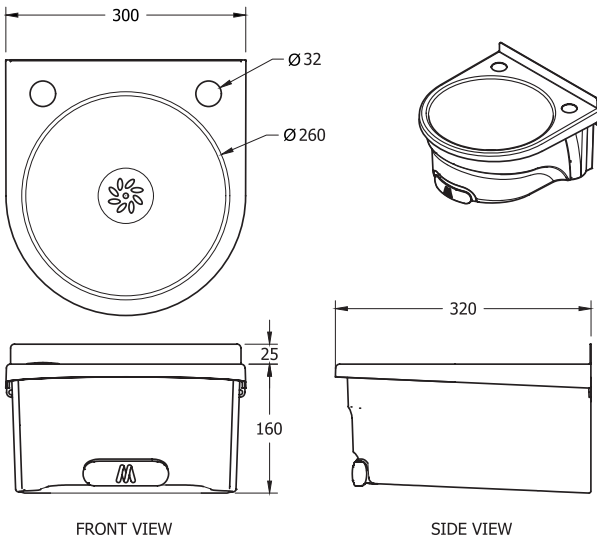
**TECHNICAL INFORMATION**

- Dimensions: O/D: 300 x 320 x 160mm Bowl: 260mm dia. X 130mm deep
- Flow rate: Scale resistant flow straightener 3 lpm.
- WRAS COMPONENT PARTS: CDC91 Spout - 1607045 MX91 Blender - 1606019 Braided Hose - 1405138.

**WARRANTY**

One-year manufacturer's warranty from the date of invoice, against defective parts or faulty workmanship. Terms and conditions apply.

**TECHNICAL ASSISTANCE:** Call +44 (0)1908 261511 and ask for the Technical Helpdesk or e-mail [technical@mechline.com](mailto:technical@mechline.com)



FURTHER OPTIONS	
Model	Description
BSX300-SPL	Optional Splashback for 300 models only, High grade polished 304 Austenitic stainless steel 315(H) x 300(W)
BSX-SPD	Optional Soap Dispenser
BSX-WASTE-BIN	Optional Waste Bin High density polyethylene Hangs neatly under basin

**MAINTENANCE & CLEANING**

**Cleaning chrome:** Do not use abrasive, chlorine or acid-based cleaning products. Avoid contact with concentrated bleach. Clean with soapy water using a cloth or sponge.

Note: If a CAD file is required please contact our Technical Helpdesk.

