



MODEL: **AJPR10-SH-BF1-S**



AQUAJET
manufactured by **MECHLINE**

AquaJet Pre-Rinse Spray. AJPR10 base / SHORT style/ BF1 bowl filler / STANDARD gun

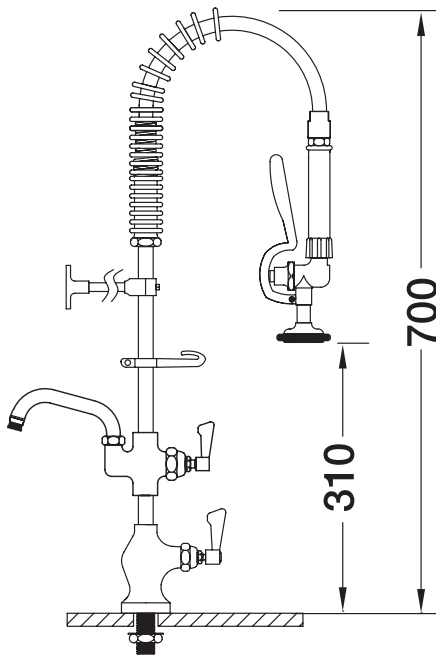
Manufacturer: Mechline Developments
Brand: AquaJet
Model Range: AquaJet 10
Base: AJPR10
Style: Short
Bowl Filler: 150mm bowl filler (BF1)
Spray Gun: Standard
Pedestal: Single
Mount: Deck mounted
Water Feed: Single Monobloc
Controls: Lever
Accreditation: WRAS

FEATURES & BENEFITS

- A variety of choices to suit each application.
- WRAS approved across the range.
- Pre-assembled, ready to install - saves time on site.
- All assembled models are factory tested up to 6 bar for quality assurance.
- Choice of optional bowl fillers, water dispensing guns and accessories.
- Restraining device available to prevent hose from overstretching into basin, which reduces abuse and helps meet Water Board regulations.
- Super strong, food-grade, high-flow water hose.

TECHNICAL INFO

- Connection: (M) 1/2-inch
- Tap hole req: 25mm
- Flow rates: 7.75 lpm tested at 3 bar pressure.



(M) 1/2-inch connection
Tap hole req.: 25mm dia.

MAINTENANCE & CLEANING

Cleaning chrome: Do not use abrasive, chlorine or acid-based cleaning products. Avoid contact with concentrated bleach. Clean with soapy water using a cloth or sponge.

Dimensions are in millimeters. If a CAD file is required please visit www.mechline.com.



MECHLINE DEVELOPMENTS LIMITED

Tel: +44 (0)1908 261511 | Email: info@mechline.com | Web: www.mechline.com