



MODEL: **WRCT-500BL3-SINGLE**



CATERTAP
manufactured by **MECHLINE**

CaterTap 1/2-inch Basin tap with 3-inch Lever (sold individually)



Manufacturer: Mechline Developments

Mount: Deck mounted

Water Feed: Single

Controls: 3-inch lever

Tap Type: Basin

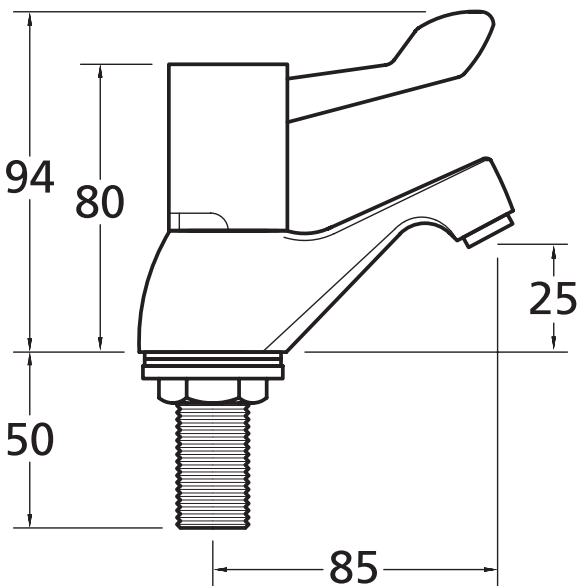
Accreditation: WRAS

FEATURES & BENEFITS

- WRAS approved.
- Features PostiStop™ built in stopping device, which is standard on all 3-inch lever options in the CaterTap range. Developed to help prevent the tap from being turned too far and breaking the valve.
- High-grade chrome-finished.
- Low maintenance and long lasting.
- Manufactured to British Standards.
- Robust commercial tap.
- Backed by Mechline's standard 1 year warranty.

TECHNICAL INFO

- Connection(s): 1/2-inch.
- Worktop hole: 25mm.
- Recommended static water pressure range: 1-5 bar.
- Flow rate: 12.50 lpm tested at 3 bar pressure



MAINTENANCE & CLEANING

Cleaning chrome: Do not use abrasive, chlorine or acid-based cleaning products. Avoid contact with concentrated bleach. Clean with soapy water using a cloth or sponge.

Dimensions are in millimeters. If a CAD file is required please visit www.mechline.com.



MECHLINE DEVELOPMENTS LIMITED

Tel: +44 (0)1908 261511 | Email: info@mechline.com | Web: www.mechline.com